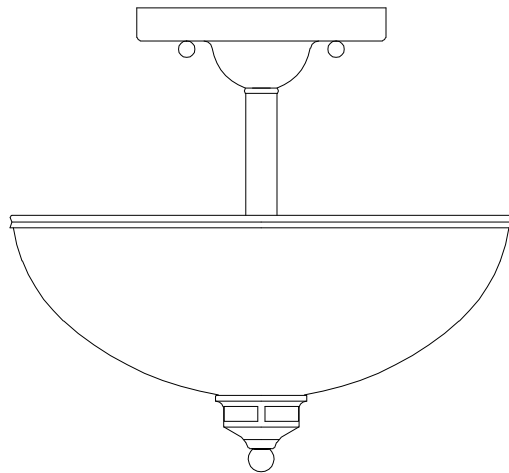




**PRODUCT NAME: Novus 2 Light Semi-Flush**  
**ITEM NUMBER: 21583**

**Please consult your electrician for hanging fixture and wiring.**



**2\*E26\*60W (NO INCLUDED BULB)**

Locate all hardware & components before discarding packaging

Cleaning & Care:

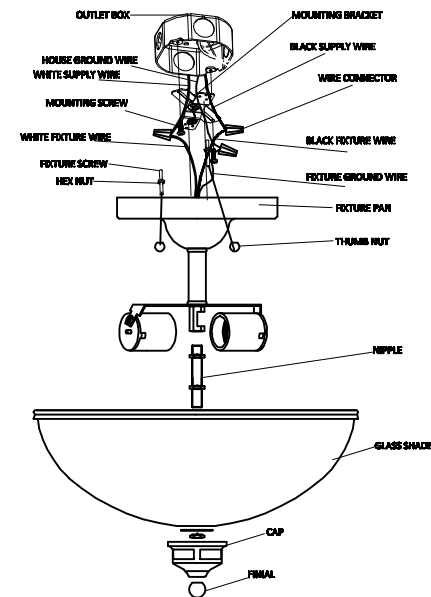
Clean with soft cloth and a mild detergent.

DO not use abrasive cleaner.



**PRODUCT NAME: Novus 2 Light Semi-Flush**  
**ITEM NUMBER: 21583**

**CAUTION:** Turn off the main power at the circuit breaker before installing and servicing the fixture to prevent possible injury from electric shock.  
All electrical connections must be in accordance with local and National Electrical Code (N.E.C.) standards.  
If you are unfamiliar with proper electrical wiring connections, obtain the services of a qualified electrician.



- 1. Remove MOUNTING BRACKET from fixture and install to electrical box. Thread FIXTURE SCREWS on bracket, but do not tighten HEX NUTS completely. Check the pan mounting holes against the fixtures screws for proper alignment and spacing.**
- 2. Wire fixture to wires in outlet box. Black wire is live wire, white wire is neutral. Bare wire is for Ground.**
- 3. Install the fixture to MOUNTING BRACKET. The HEX NUT on fixture screws can be adjusted to make the fixture flush with the ceiling.**
- 4. Install light bulbs according to max wattage rating label on the socket.**
- 5. Place glass on fixture pan and secure using cap and finial.**